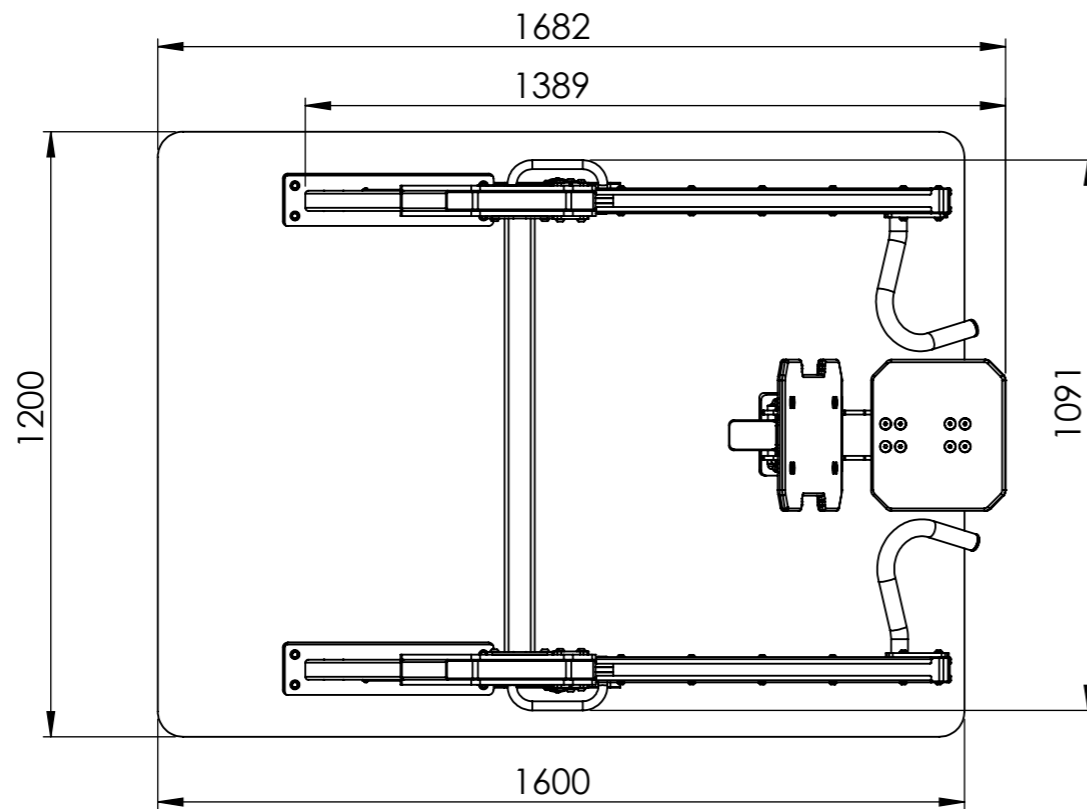
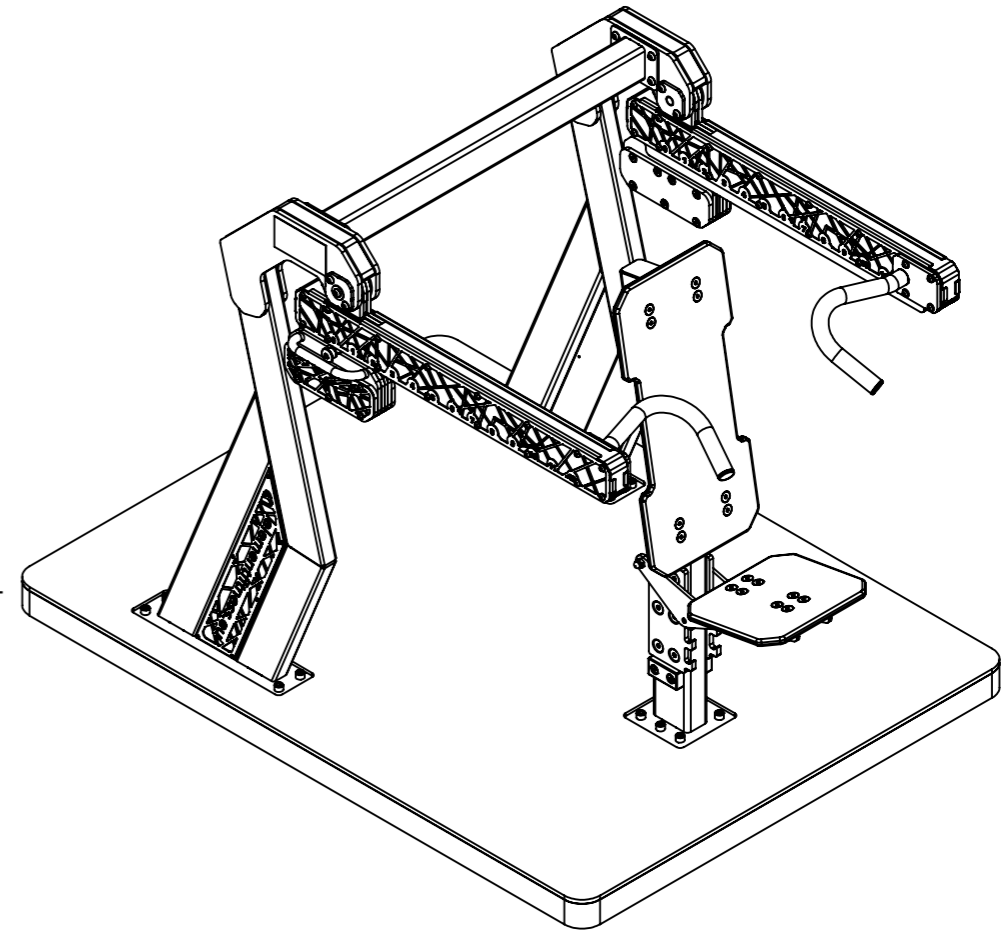


\*adjustable seat height



| POS. | NUMBER   | PCS | NAME              | REV. | MATERIAL | CLASS |
|------|----------|-----|-------------------|------|----------|-------|
| 1    | 30-16418 | 1   | Shoulder Press OG | A00  |          | MO    |



30-14772

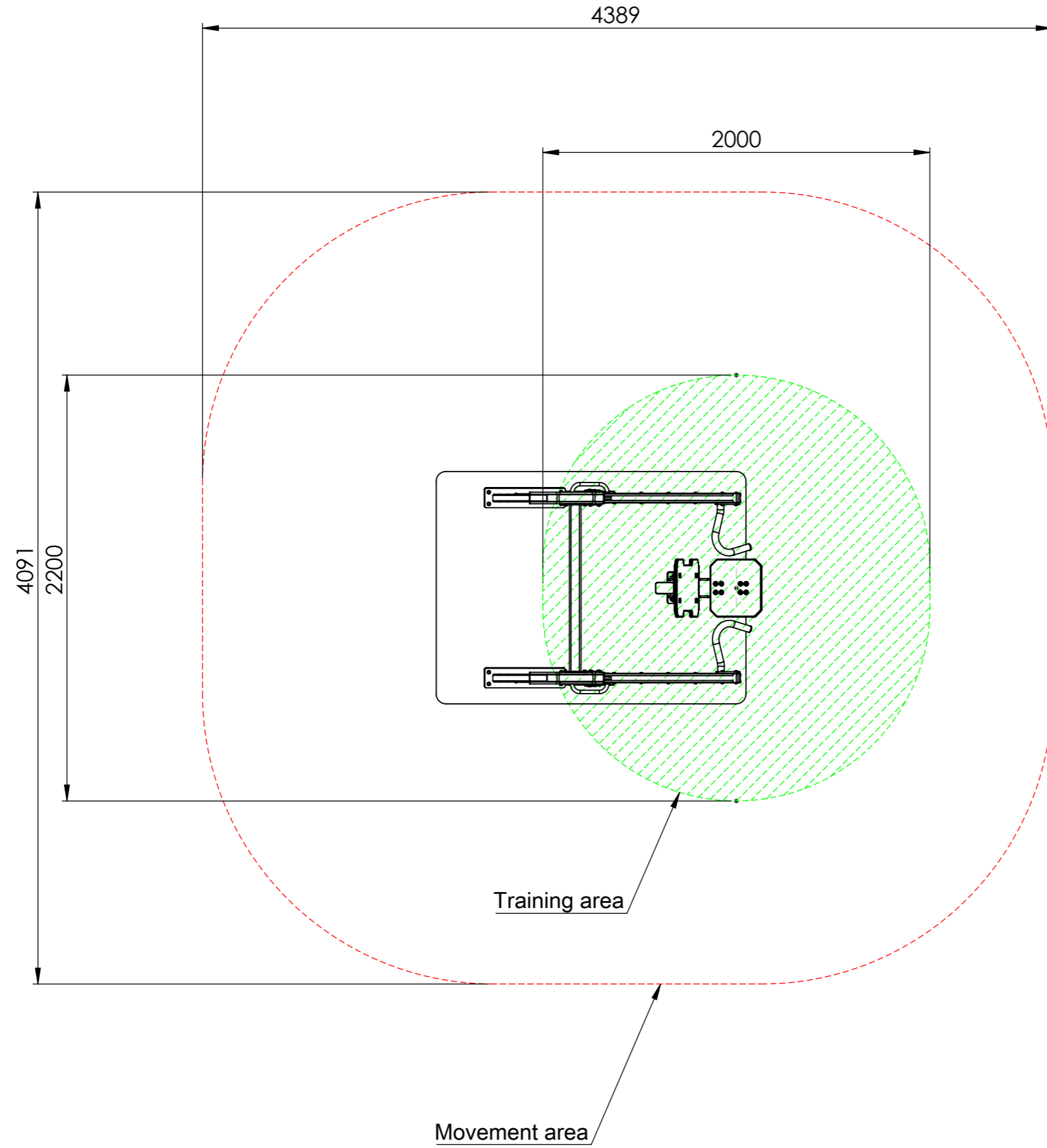
Mass 463.88


Rev B01

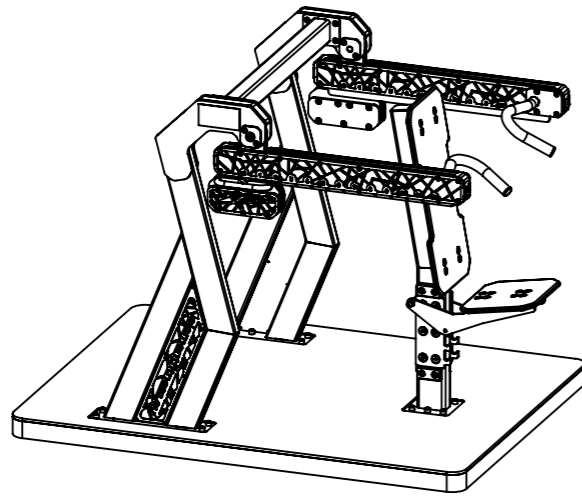
SCALE:1:15

A3 Sheet 1 of 5

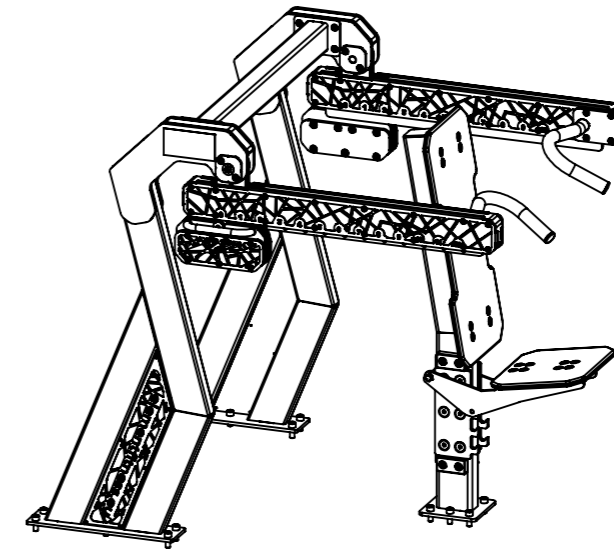
12.12.2024



|   |            |            |        |
|---|------------|------------|--------|
|  | 30-14772   | Mass       | 463.88 |
|   | SCALE:1:25 | Rev        | B01    |
| A3 Sheet 2 of 5   |            | 12.12.2024 |        |



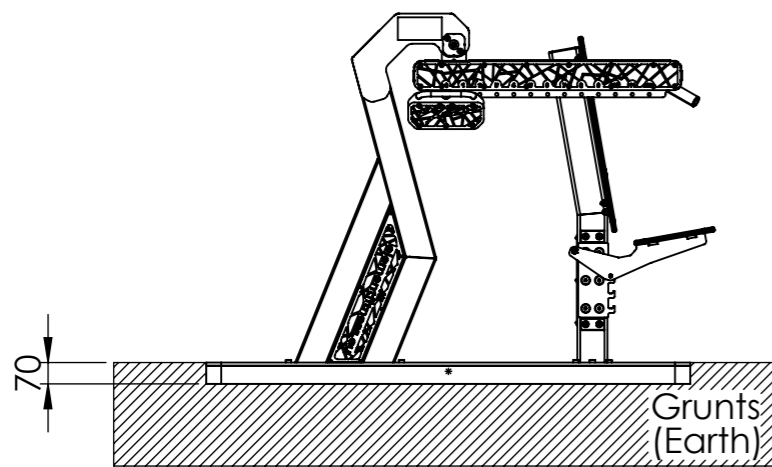
Standard 160x120x6 reinforced concrete +plastic base



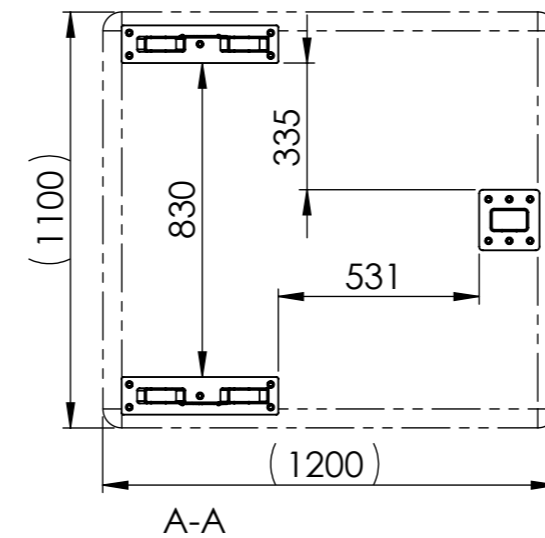
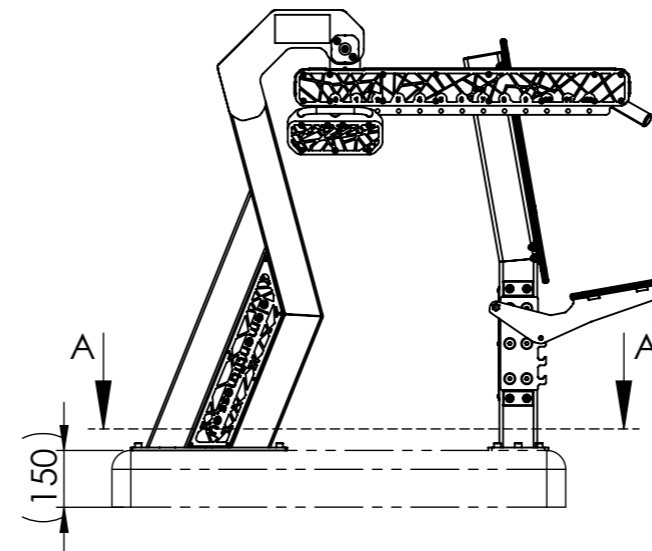
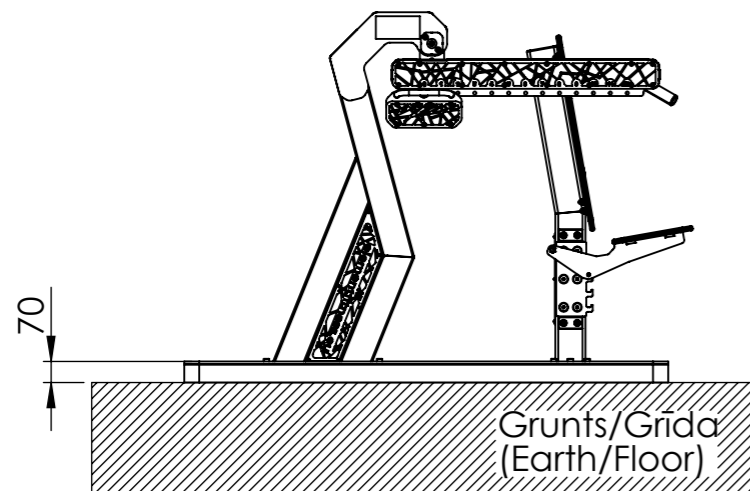
Base free (SKU 30-16398)

### Installation according to EN16630

Setting plastic surface level with ground surface



Freestanding installation



Concrete foundation on location

- Installation according to EN16630
- Pre-poured concrete or existing concrete foundation.
- Minimum concrete foundation size in brackets.
- Mounting with M12 Anchoring bolts according to foundation type.



30-14772

Mass 463.88

Rev B01

SCALE:1:25

A3 Sheet 3 of 5

12.12.2024