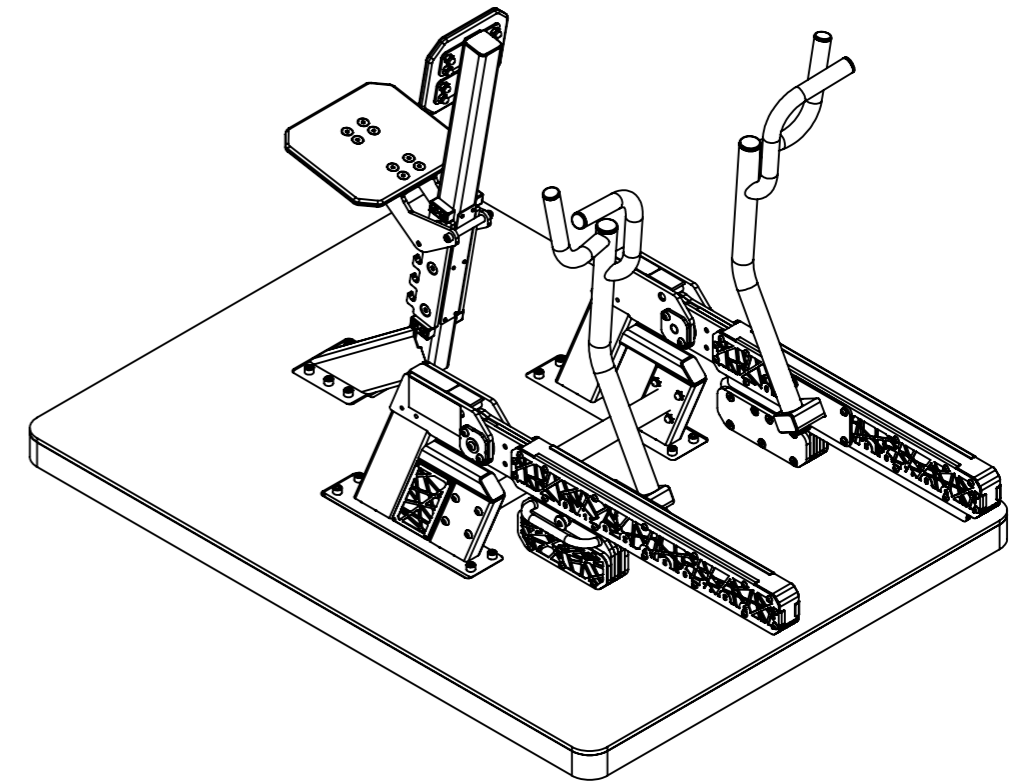
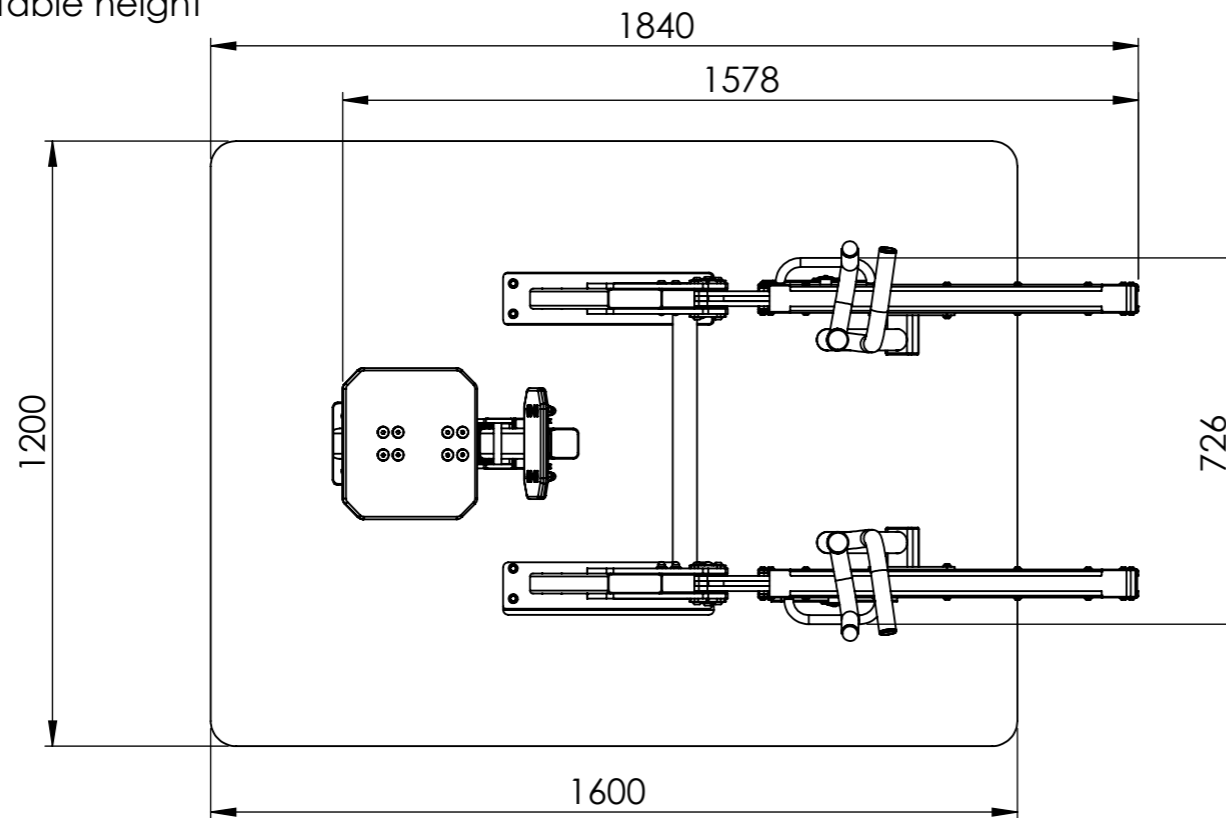


*adjustable height



POS.	NUMBER	PCS	NAME	REV.	MATERIAL	CLASS
1	30-16419	1	Seated Row OG	A00		MO



30-14773

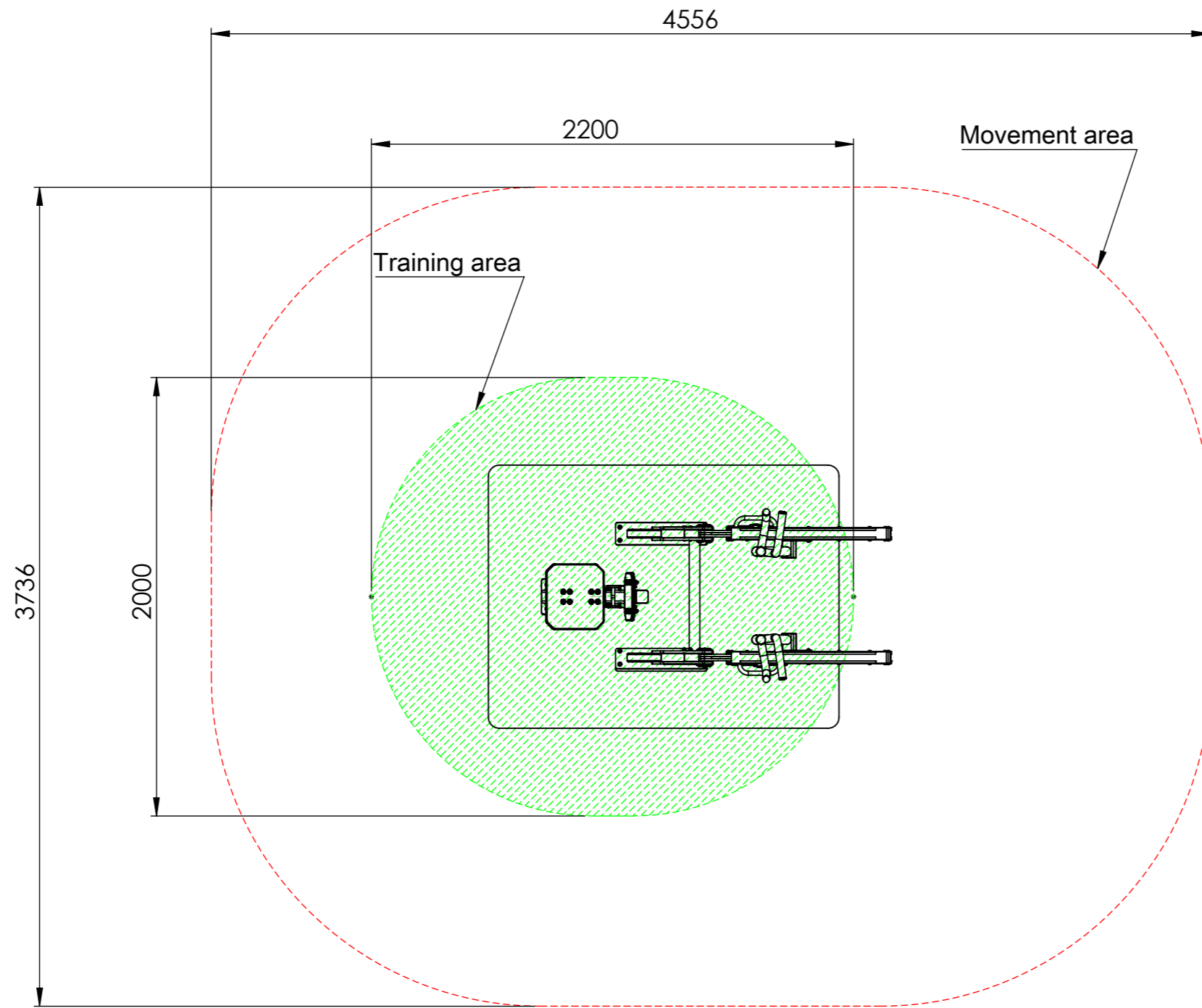
SCALE:1:15

A3 Sheet 1 of 5

Mass 437.21

Rev B01

12.12.2024



30-14773

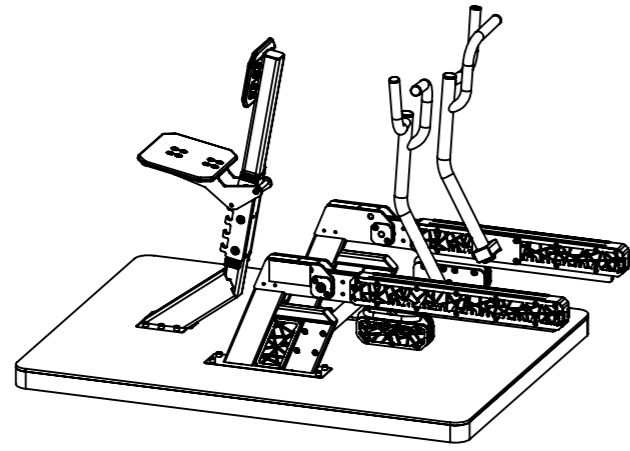
SCALE:1:25

A3 Sheet 2 of 5

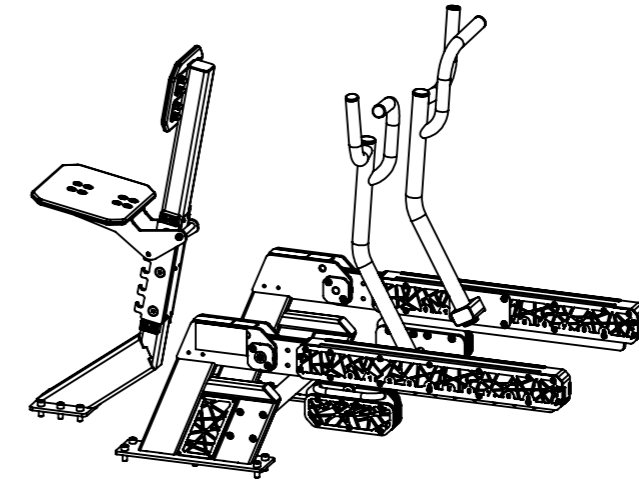
Mass 437.21

Rev B01

12.12.2024



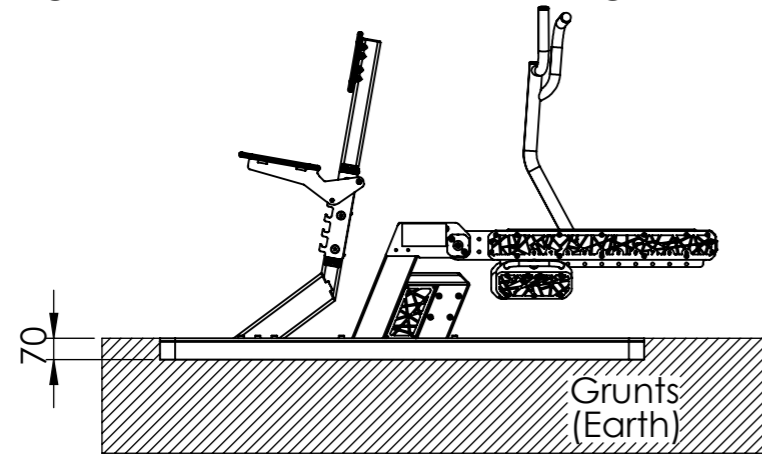
Standard 160x120x6 reinforced concrete +plastic base



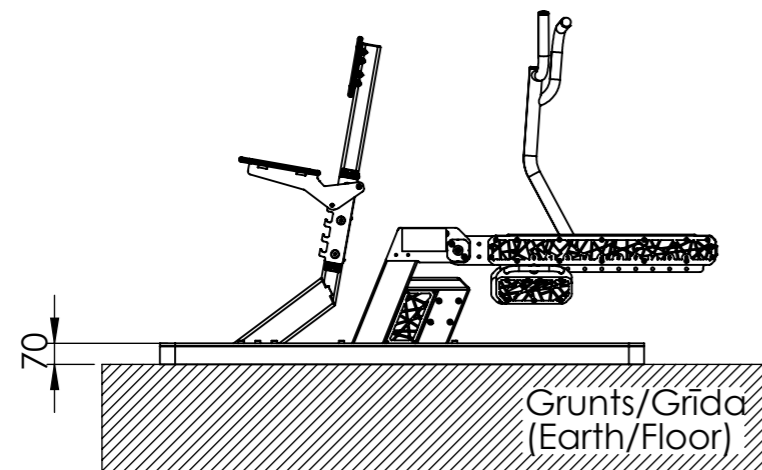
Base free (SKU 30-16399)

Installation according to EN16630

Setting plastic surface level with ground surface

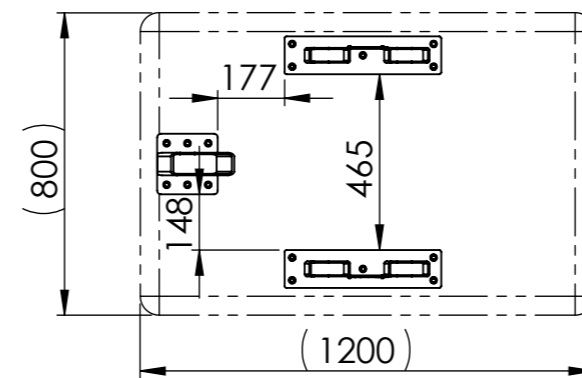
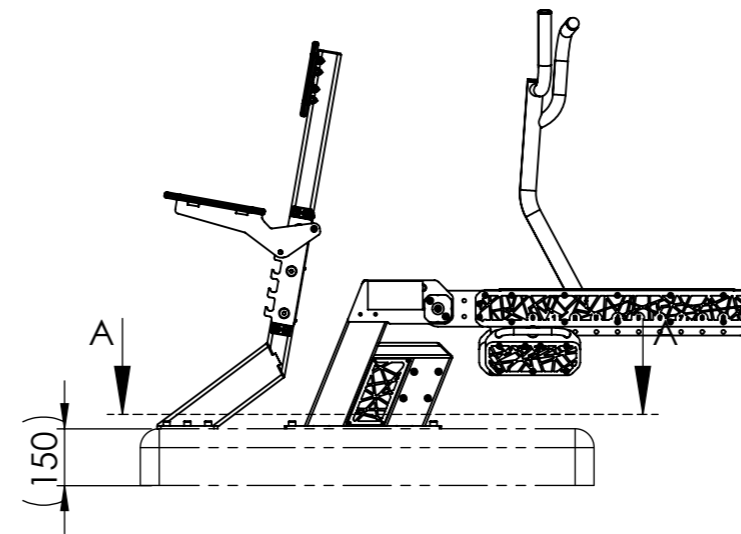


Freestanding installation



Concrete foundation on location

- Installation according to EN16630
- Pre-poured concrete or existing concrete foundation.
- Minimum concrete foundation size in brackets.
- Mounting with M12 Anchoring bolts according to foundation type.



A-A



30-14773

Mass 437.21

Rev B01

SCALE:1:25

A3 Sheet 3 of 5

12.12.2024