

POS.	NUMBER	PCS	NAME	REV.	MATERIAL	CLASS
1	30-16695	1	Multibar OG	A00		MO



30-16605

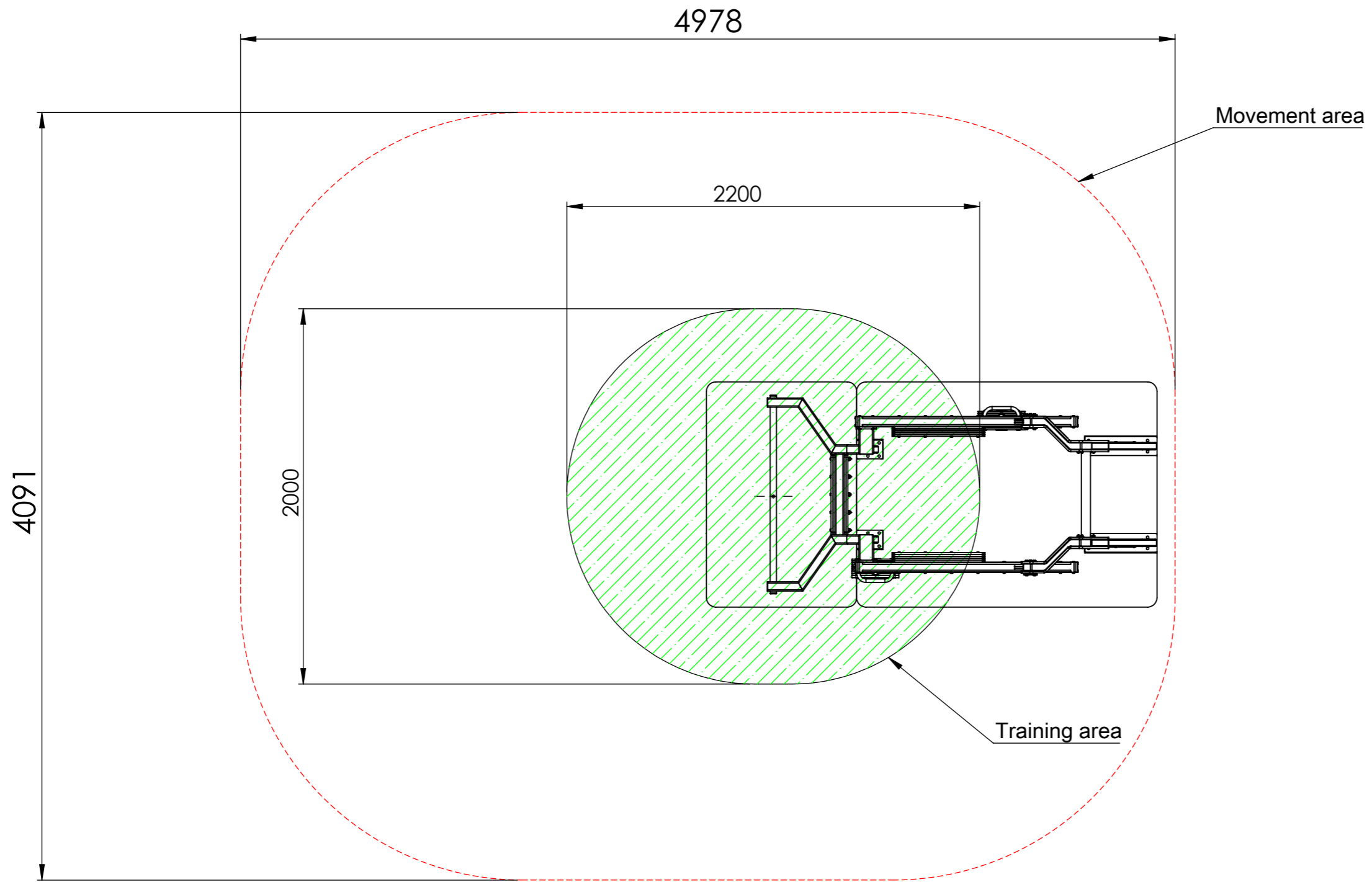
SCALE:1:20

A3 Sheet 1 of 4

Mass 706.05

Rev A00

12.12.2024

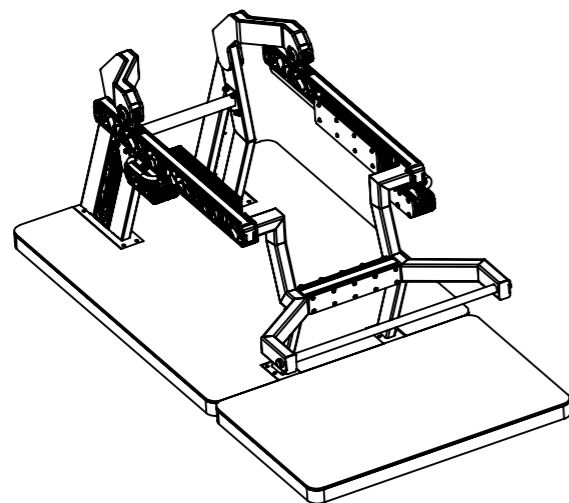


30-16605

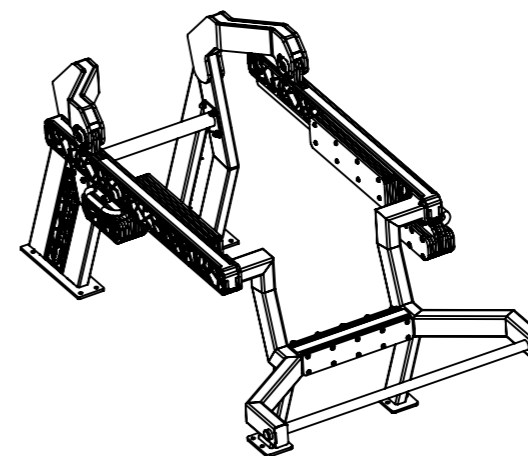
SCALE:1:25

A3 Sheet 2 of 4

Mass	706.05
Rev	A00
12.12.2024	



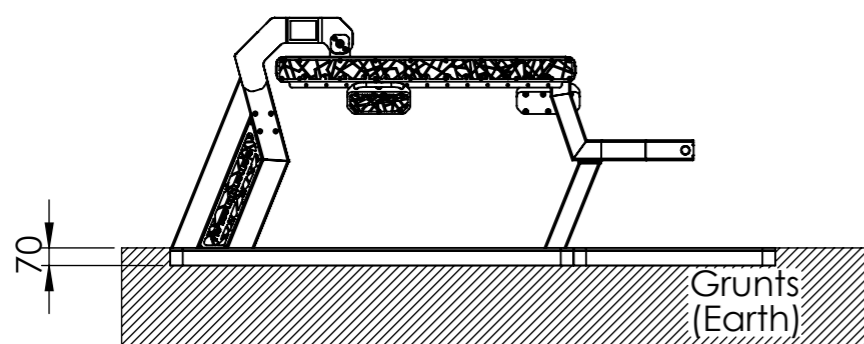
Standard 160x120x6 reinforced concrete +plastic base with additional 80x120 platform



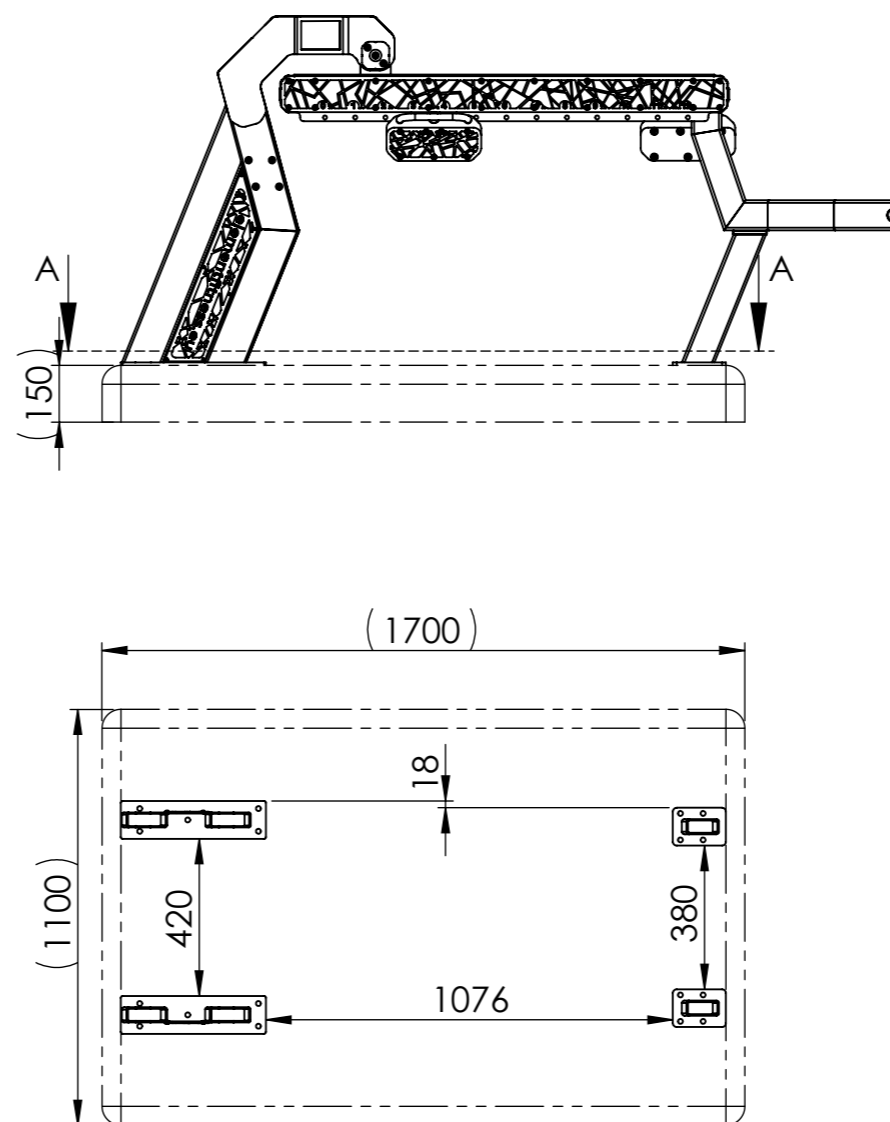
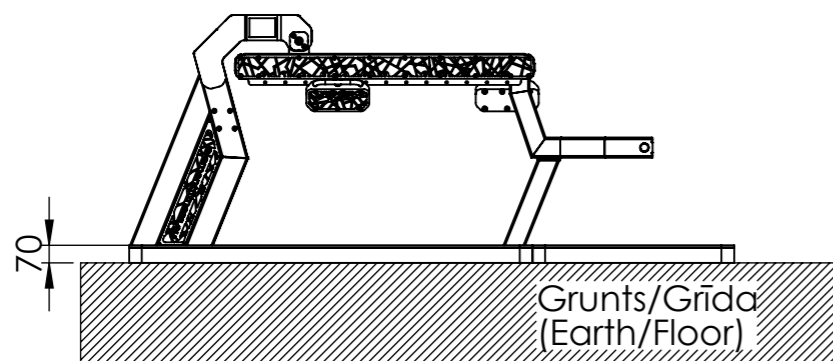
Base free (SKU 30-16610)

Installation according to EN16630

Setting plastic surface level with ground surface



Freestanding installation



Concrete foundation on location

-Installation according to EN16630

-Pre-poured concrete or existing concrete foundation.

-Minimum concrete foundation size in brackets.

-Mounting with M12 Anchoring bolts according to foundation type.



30-16605

Mass 706.05

Rev A00

SCALE:1:25

A3 Sheet 3 of 4

12.12.2024