

POS.	NUMBER	PCS	NAME	REV.	MATERIAL	CLASS
1	30-16421	1	Leg Press OG	A00		MO



30-14775

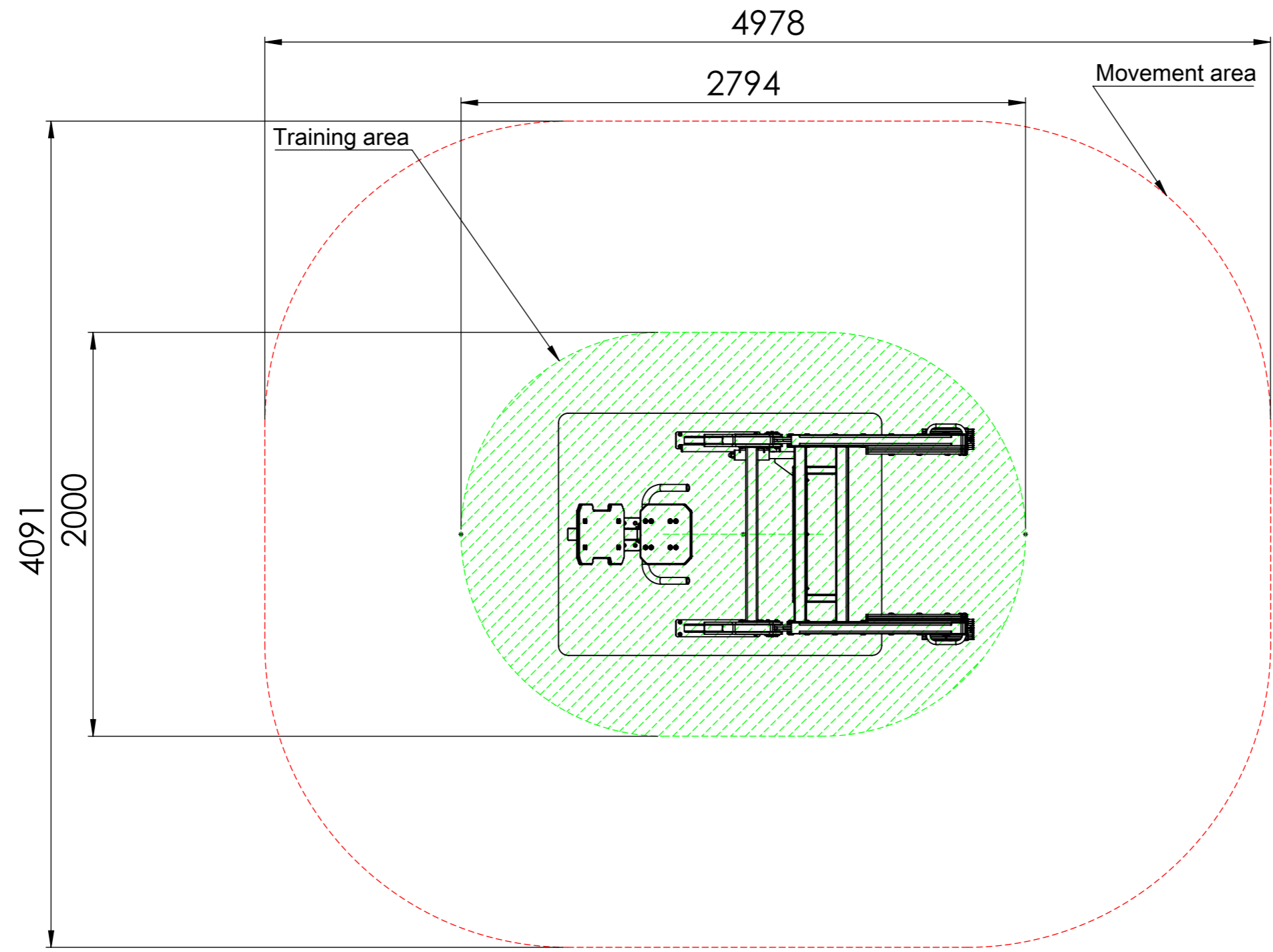
Mass 558.32


Rev B01

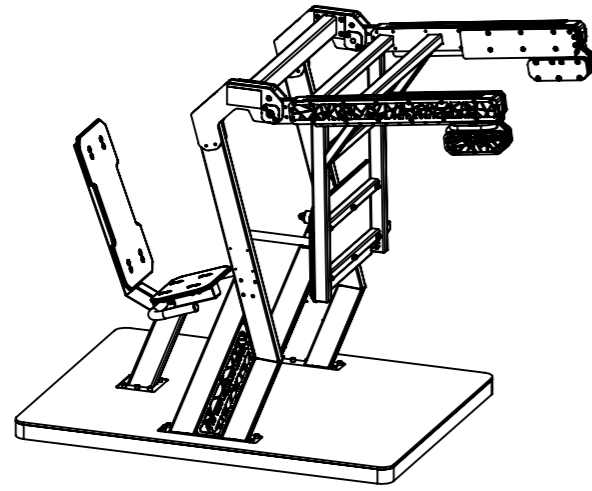
SCALE:1:20

A3 Sheet 1 of 5

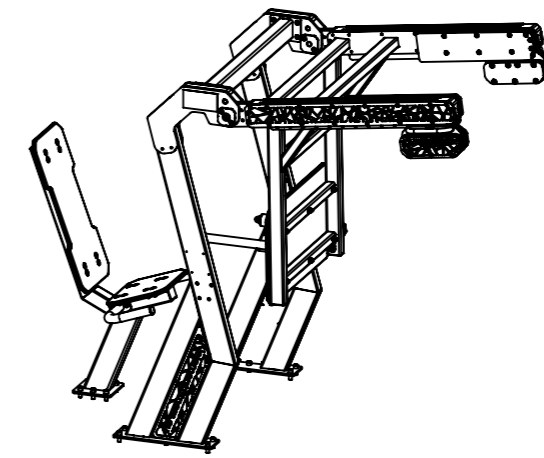
12.12.2024



	30-14775	Mass	558.32
		Rev	B01
SCALE:1:25	A3	Sheet 2 of 5	12.12.2024

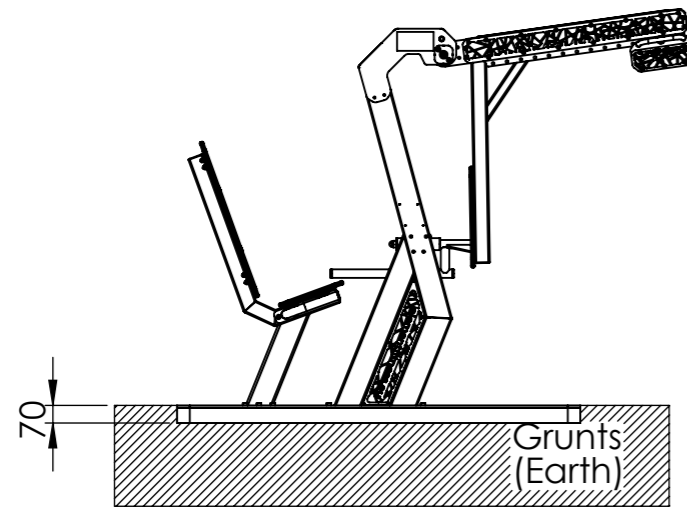


Standard 160x120x6 reinforced concrete +plastic base

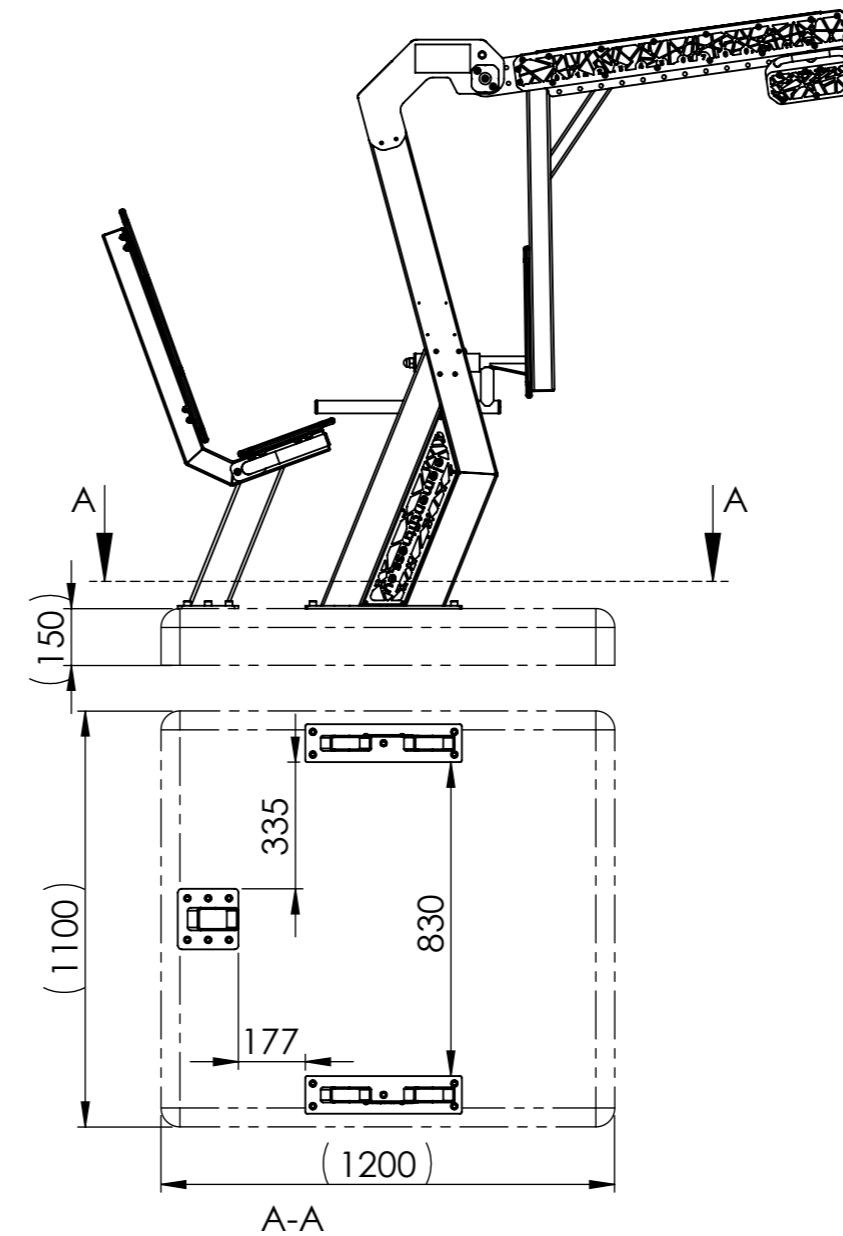
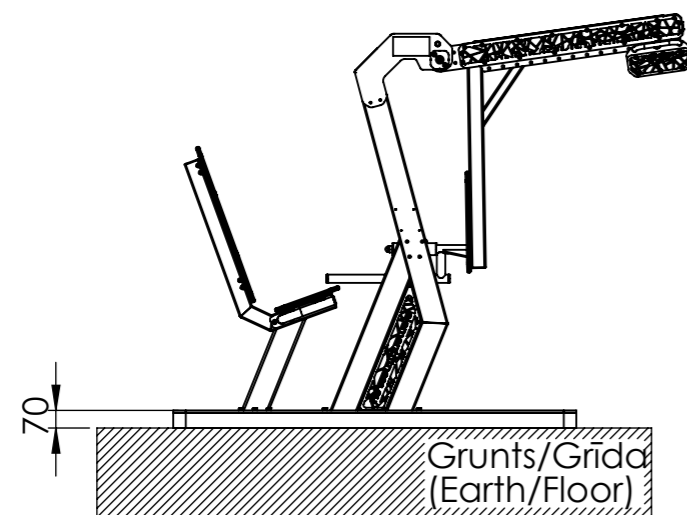


Base free (SKU 30-16401)

Installation according to EN16630
Setting plastic surface level with ground surface



Freestanding installation



Concrete foundation on location

- Installation according to EN16630
- Pre-poured concrete or existing concrete foundation.
- Minimum concrete foundation size in brackets.
- Mounting with M12 Anchoring bolts according to foundation type.



30-14775

Mass 558.32

Rev B01

SCALE:1:25

A3 Sheet 3 of 5

12.12.2024