

POS.	NUMBER	PCS	NAME	REV.	MATERIAL	CLASS
1	30-16953	1	Deadlift OG	A00		MO



30-16603

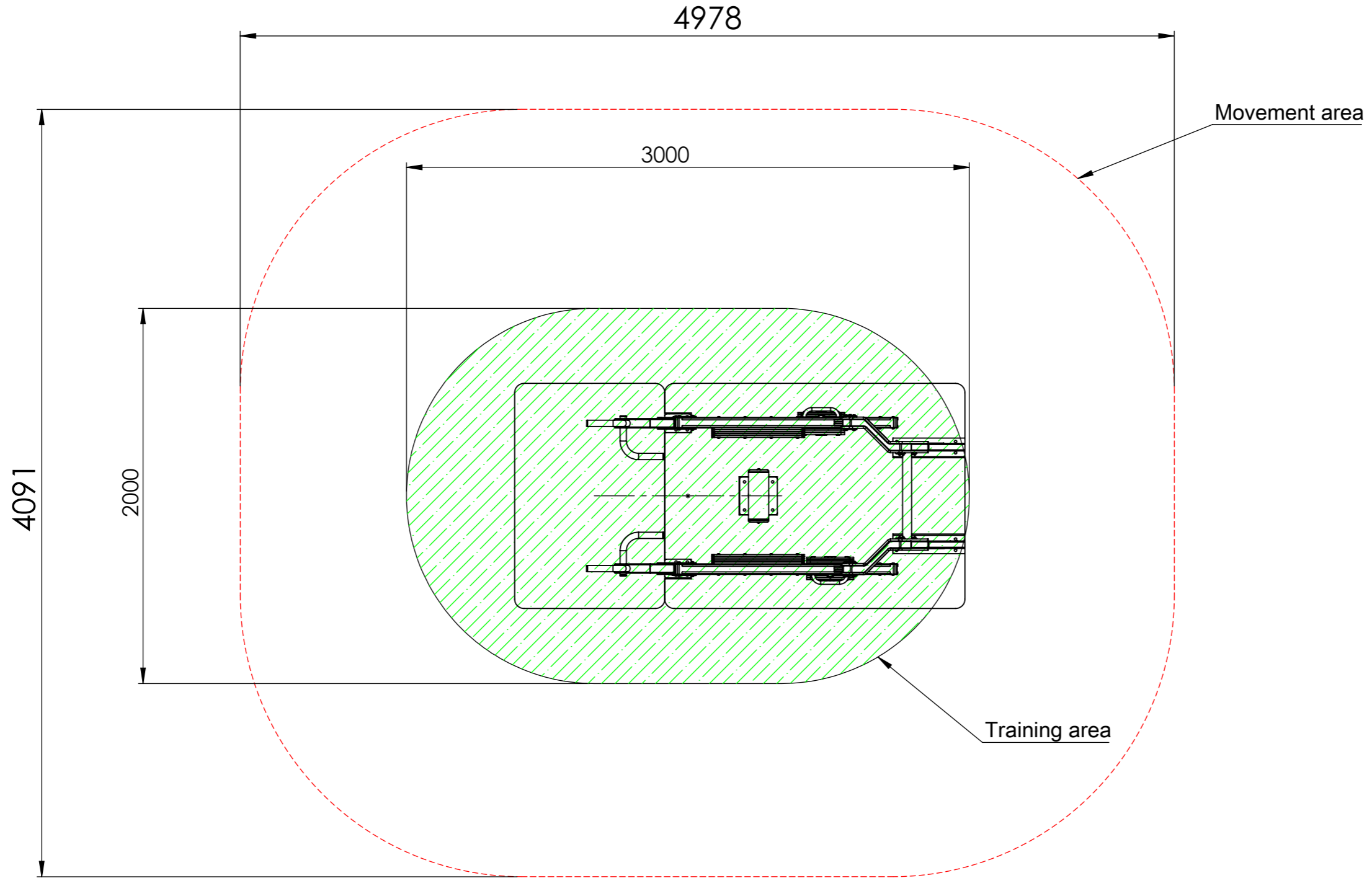
SCALE:1:20

A3 Sheet 1 of 4

Mass 687.75

Rev A00

12.12.2024



4091

2000

4978

3000

Movement area

Training area



30-16603

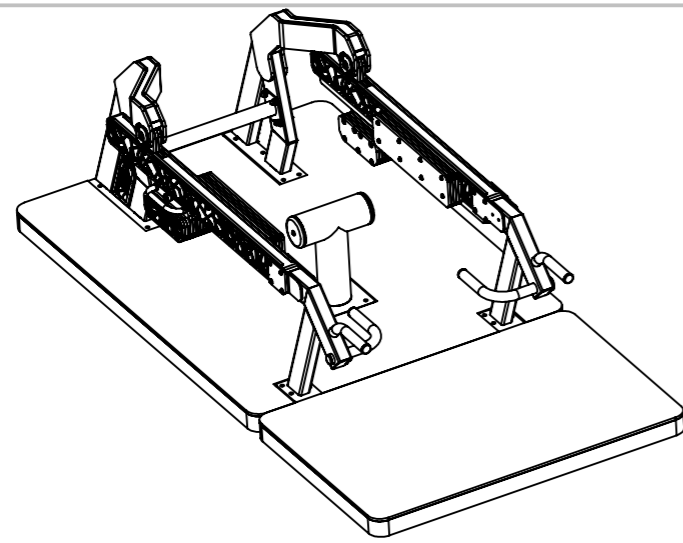
Mass 687.75

Rev A00

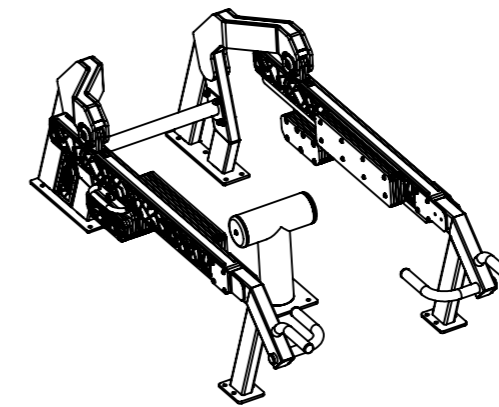
SCALE:1:25

A3 Sheet 2 of 4

12.12.2024



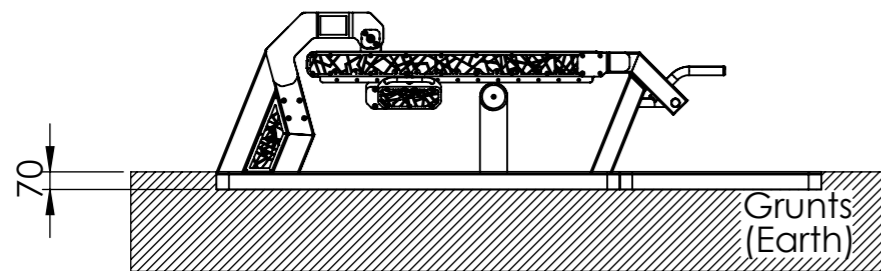
Standard 160x120x6 reinforced concrete +plastic base with additional 80x120 platform



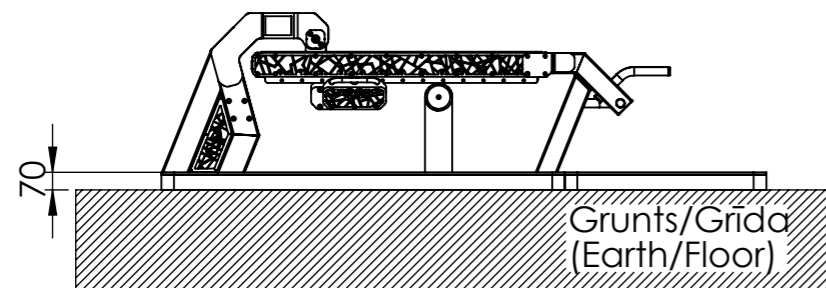
Base free (SKU 30-16608)

Installation according to EN16630

Setting plastic surface level with ground surface

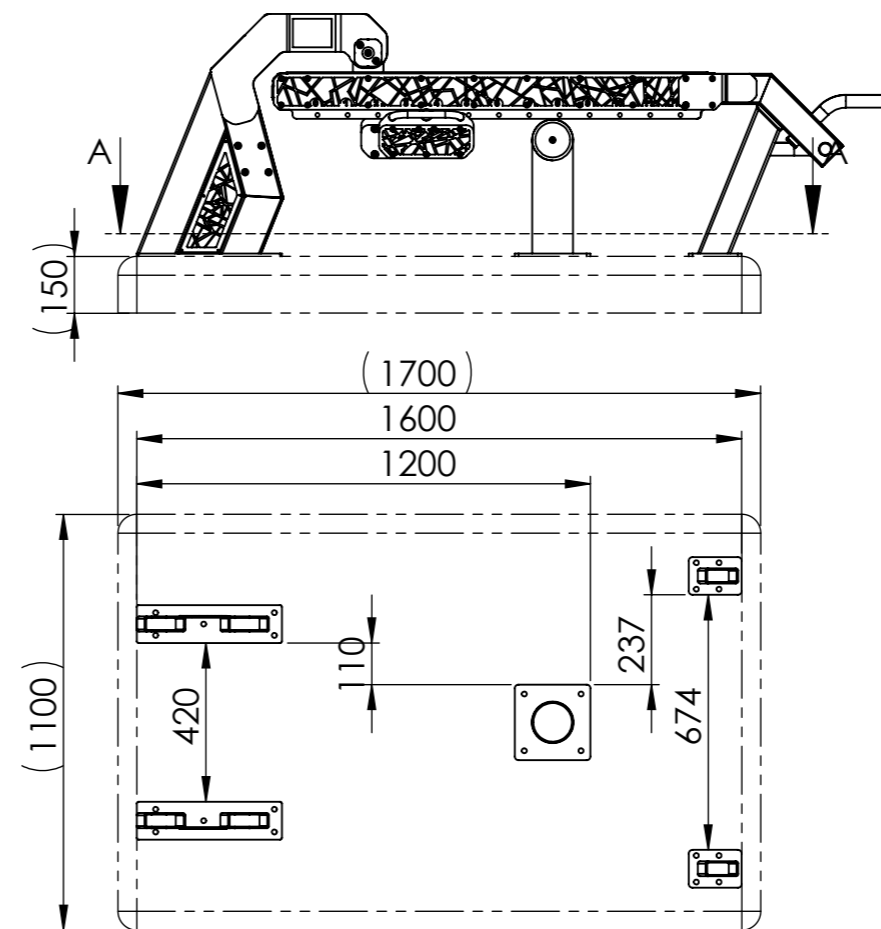


Freestanding installation



Concrete foundation on location

- Installation according to EN16630
- Pre-poured concrete or existing concrete foundation.
- Minimum concrete foundation size in brackets.
- Mounting with M12 Anchoring bolts according to foundation type.



30-16603

Mass 687.75

Rev A00

SCALE:1:25

A3 Sheet 3 of 4

12.12.2024