

POS.	NUMBER	PCS	NAME	REV.	MATERIAL	CLASS
1	30-16420	1	Bicep Curl OG	A00		MO



30-14774

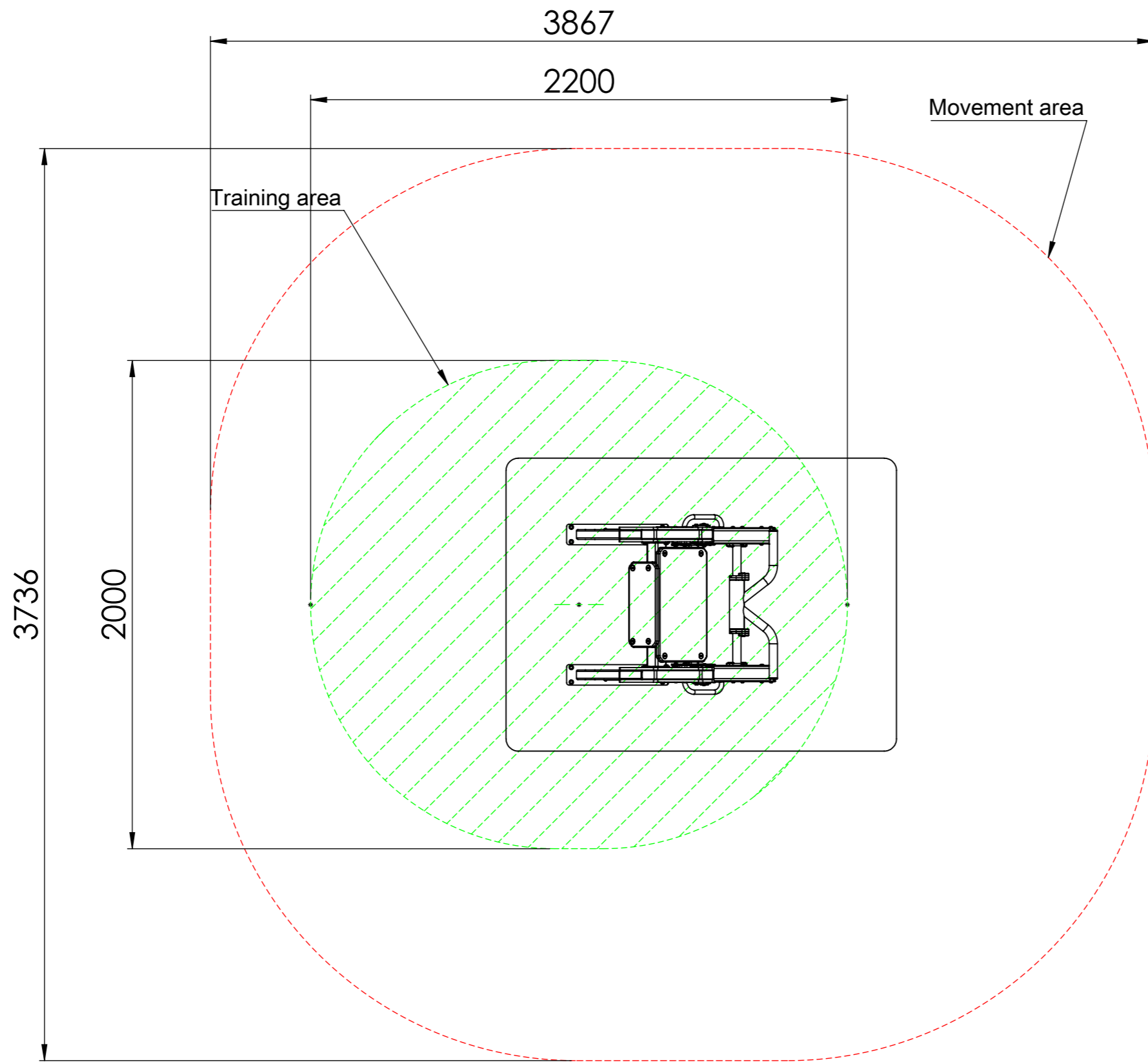
Mass 416.90


Rev B01

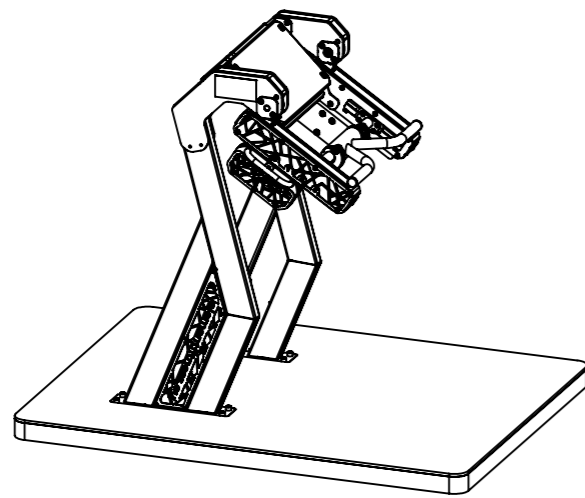
SCALE:1:15

A3 Sheet 1 of 5

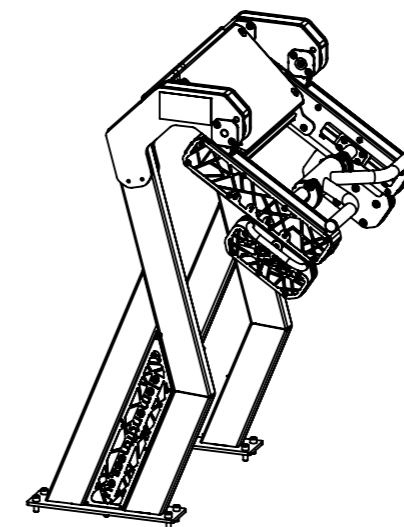
12.12.2024



	30-14774	Mass	416.90
		Rev	B01
SCALE:1:20	A3	Sheet 2 of 5	12.12.2024

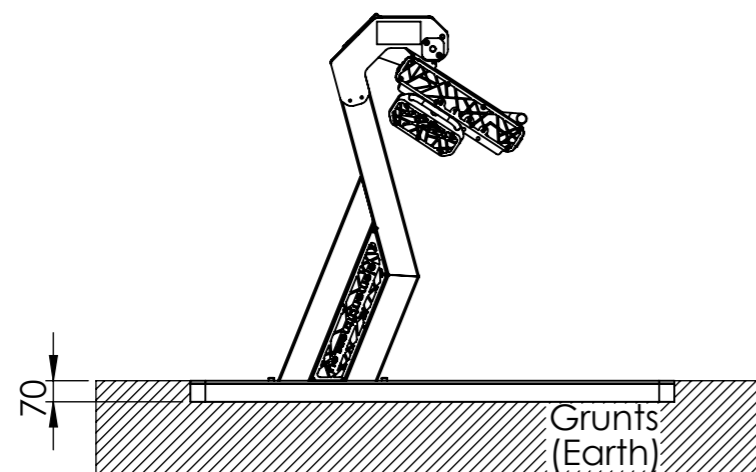


Standard 160x120x6 reinforced concrete +plastic base

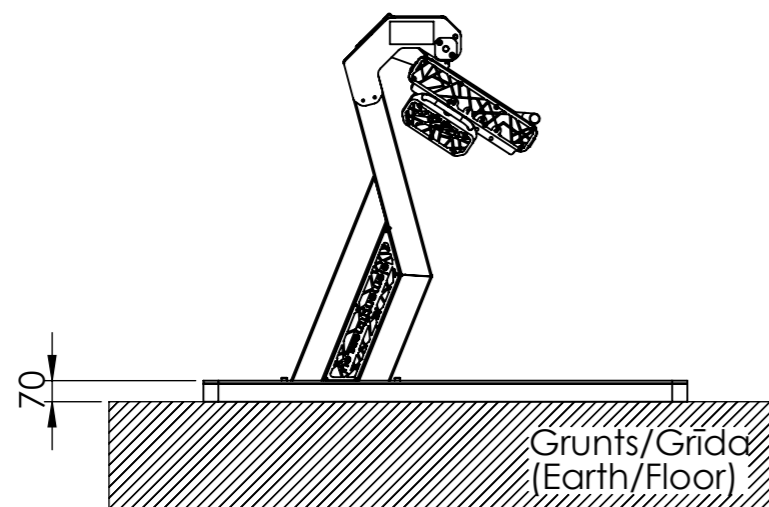


Base free (SKU 30-16400)

Installation according to EN16630
Setting plastic surface level with ground surface

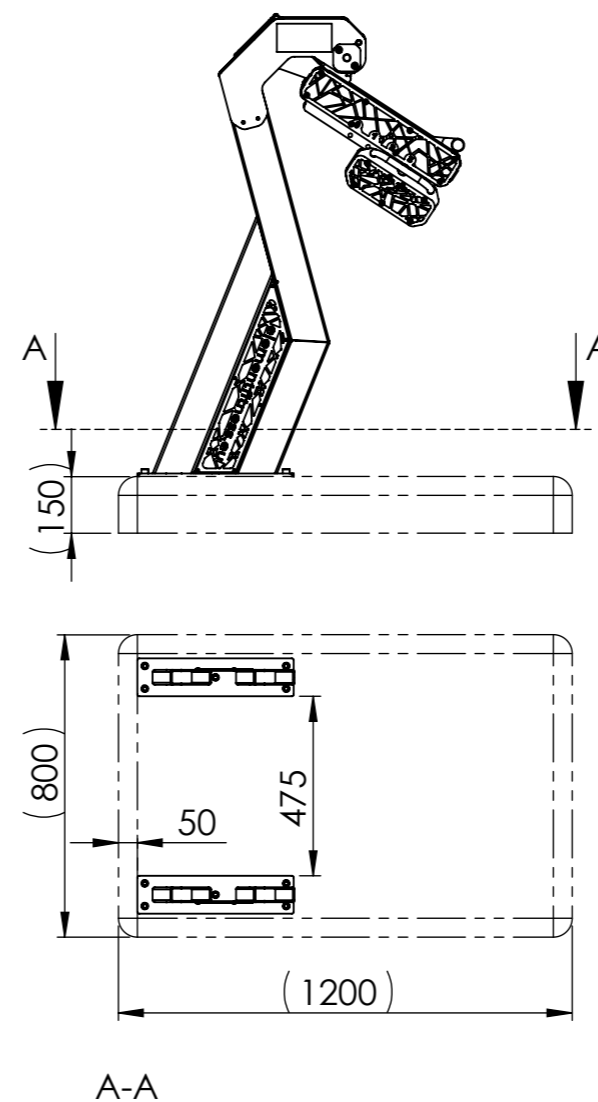


Freestanding installation



Concrete foundation on location

- Installation according to EN16630
- Pre-poured concrete or existing concrete foundation.
- Minimum concrete foundation size in brackets.
- Mounting with M12 Anchoring bolts according to foundation type.



30-14774

Mass 416.90

Rev B01

SCALE:1:25

A3 Sheet 3 of 5

12.12.2024