

| POS. | NUMBER | PCS | NAME | REV. | MATERIAL | CLASS |
|------|----------|-----|----------------|------|----------|-------|
| 1 | 30-16417 | 1 | Bench Press OG | A00 | | MO |



30-14771

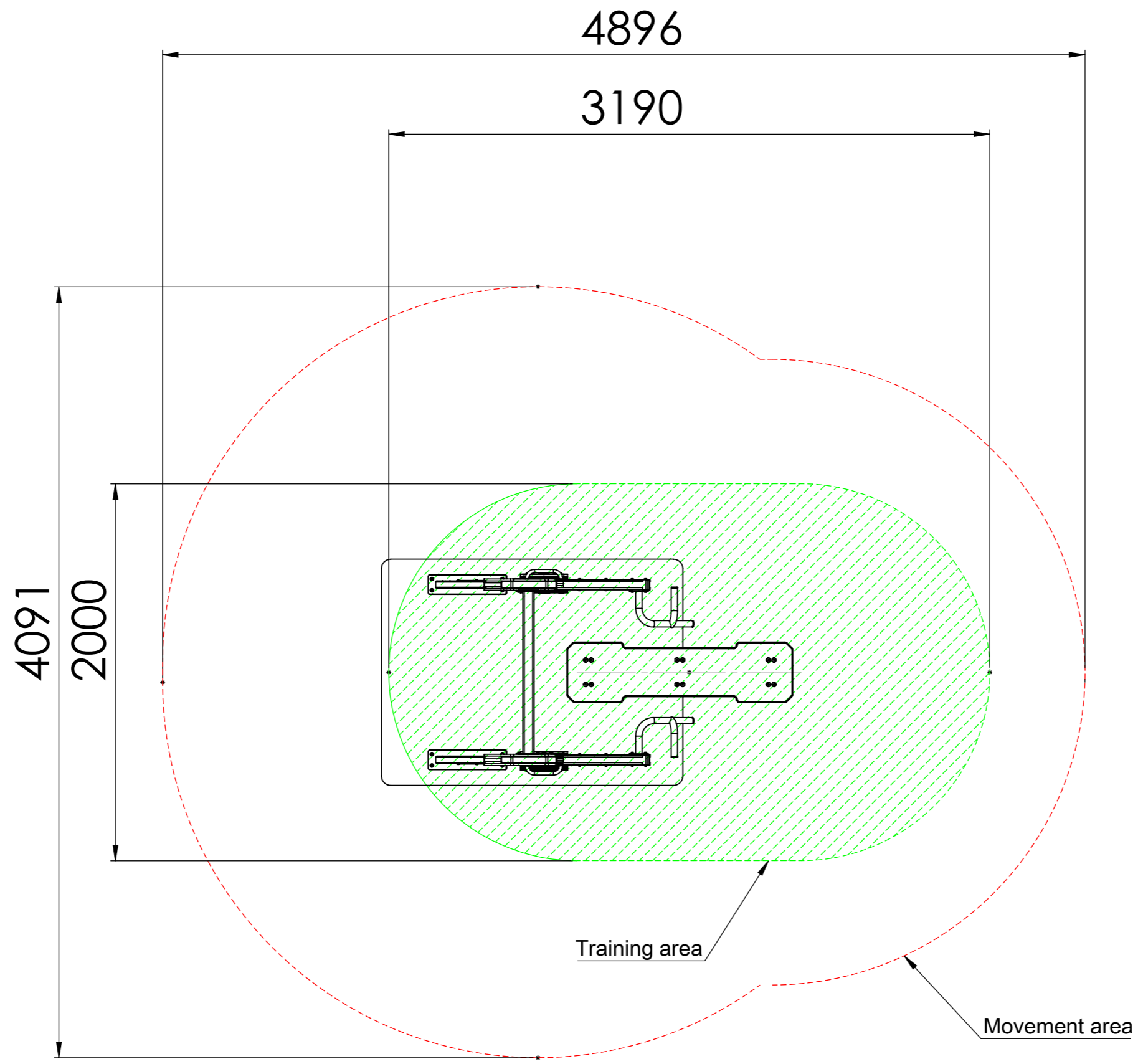
Mass 464.29

Rev B01

SCALE:1:15

A3 Sheet 1 of 5

12.12.2024



| POS. | NUMBER | PCS | NAME | REV. | MATERIAL | CLASS |
|------|----------|-----|----------------|------|----------|-------|
| 1 | 30-16417 | 1 | Bench Press OG | A00 | | MO |

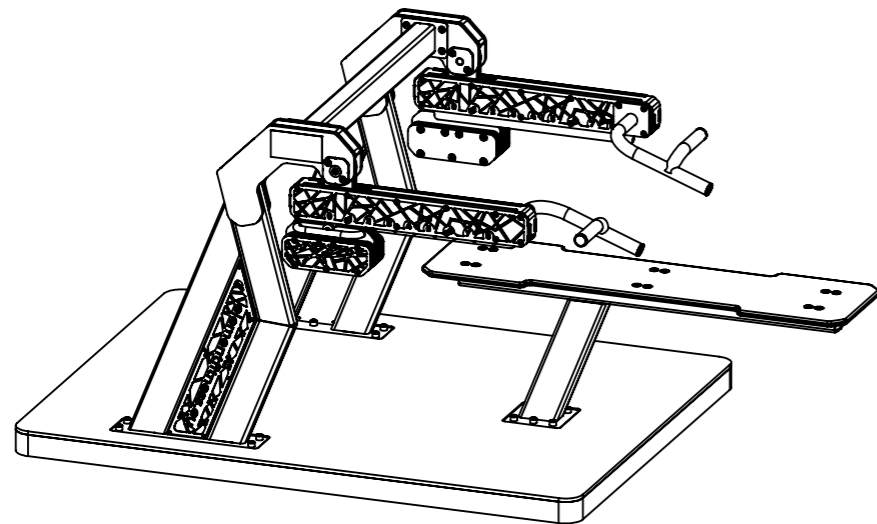


30-14771

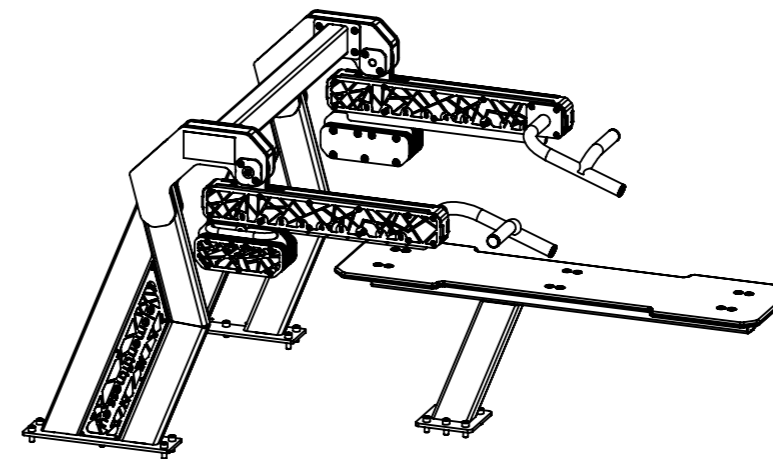
SCALE:1:25

A3 Sheet 2 of 5

| | |
|------------|--------|
| Mass | 464.29 |
| Rev | B01 |
| 12.12.2024 | |



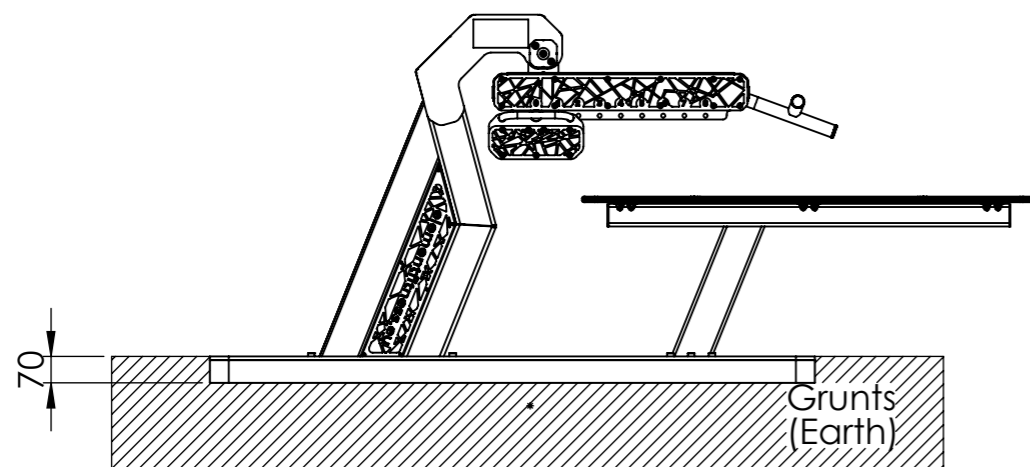
Standard 160x120x6 reinforced concrete +plastic base



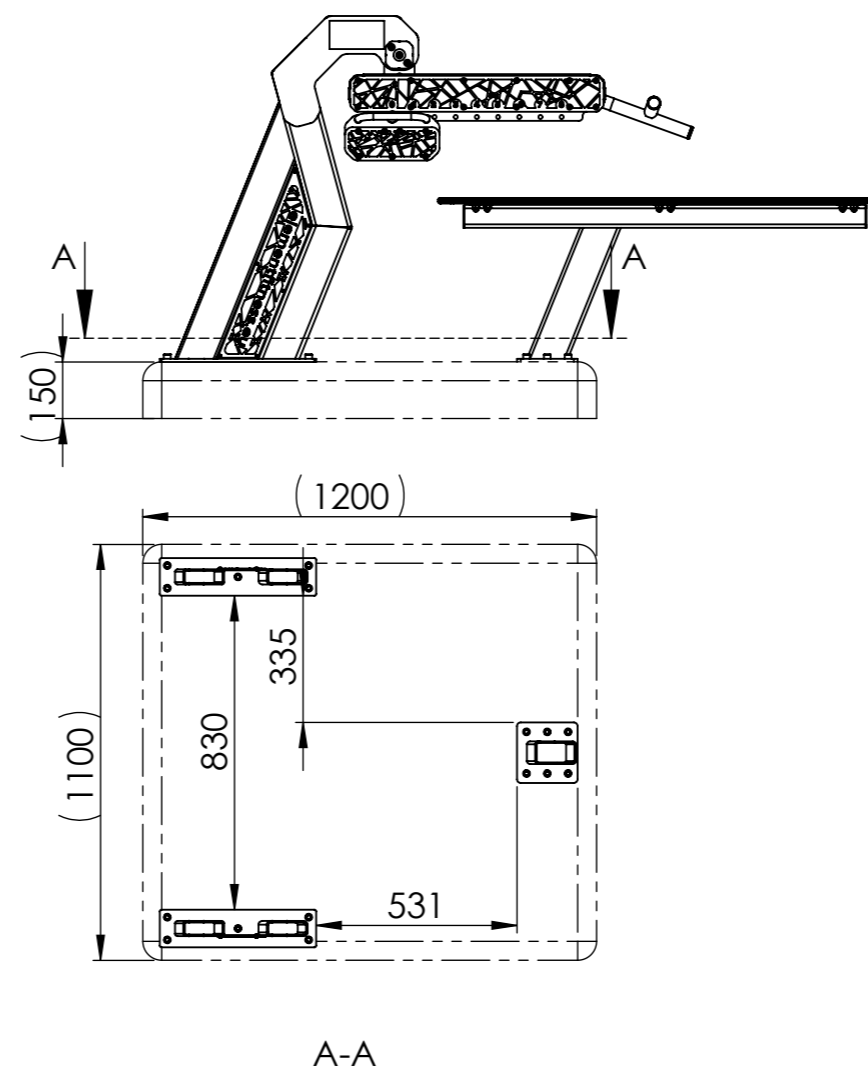
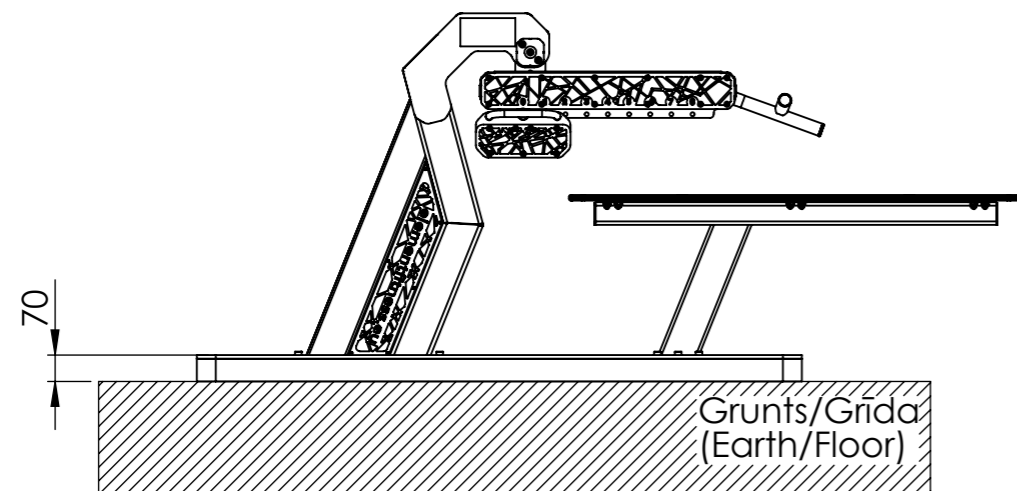
Base free (SKU 30-16397)

Installation according to EN16630

Setting plastic surface level with ground surface



Freestanding installation



Concrete foundation on location

-Installation according to EN16630

-Pre-poured concrete or existing concrete foundation.

-Minimum concrete foundation size in brackets.

-Mounting with M12 Anchoring bolts according to foundation type.



30-14771

Mass 464.29

Rev B01

SCALE:1:20

A3 Sheet 3 of 5

12.12.2024