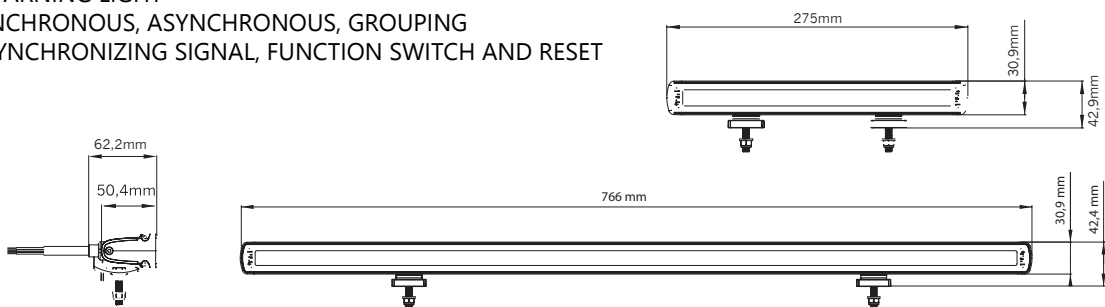


MANUAL

SIBERIA LOW RIDER

BLACK = - TO CHASSIS GROUND
RED = + RED POSITION LIGHT
GREY = + WHITE POSITION LIGHT
YELLOW = + AMBER POSITION LIGHT
GREEN = + WARNING LIGHT
BLUE = + SYNCHRONOUS, ASYNCHRONOUS, GROUPING
WHITE = + SYNCHRONIZING SIGNAL, FUNCTION SWITCH AND RESET



READ THIS BEFORE INSTALLATION OR PAINTING

READ ALL INSTRUCTIONS AND STUDY DIAGRAMS BEFORE INSTALLING YOUR NEW LIGHTS!

LEGAL MOUNTING

Check with state or local authorities for laws governing usage and proper mounting of your new lights.

TAKE CARE OF YOUR PRODUCT

Keep the product clean. Dirt on the lens and heat-sink may shorten the products lifetime.

We recommend using lukewarm water and alkaline degreasing.

Follow the degreasing instructions carefully and rinse off gently with cold or lukewarm water on low pressure.

WARNING!

Strong chemicals should not be used on the product. If you accidentally get strong chemicals on the product, rinse off immediately, use plenty of water so that no chemicals remain in any joint.

Some chemicals have a small amount of solvent in them, this can dissolve sealing adhesives and compromise the product's waterproofness.

Some chemicals pull out liquid from plastic and rubber-based components, which makes the plastic or rubber brittle and bursts more easily.

Be careful not to use high water pressure close up on the product.

If you use high water pressure at short distances, most products find it difficult to close out the water.

INSTALLATION

If there is a contact/connector on the product, it should not be cutted. If the connector is cut, the warranty is not valid.

If the product has loose cable and no connector. If the cable is shorter than 50 cm, the cable must not be cutted. If the cable is cut, the warranty is not valid.

If the cable is longer than 50 cm, it is ok to shorten the cable, but not shorter than 50 cm.

If the cable is cut shorter than 50 cm, the warranty is not valid.

Tighten screws and bolts so that they do not loosen or chafe.

Do not tighten screws so hard that the protective bearings on the product breaks.

WARNING!

Do not use higher volts than the product description states.

This light becomes hot under continuous use. Don't remove or touch the casing for at least 30 minutes after turning the lamp off.

strands[®]

-lighting division

MANUAL

SIBERIA LOW RIDER

BLACK = - TO CHASSIS GROUND
RED = + RED POSITION LIGHT
GREY = + WHITE POSITION LIGHT
YELLOW = + AMBER POSITION LIGHT
GREEN = + WARNING LIGHT
BLUE = + SYNCHRONOUS, ASYNCHRONOUS, GROUPING
WHITE = + SYNCHRONIZING SIGNAL, FUNCTION SWITCH AND RESET

1. Grouping:

It's possible to group up to four Low Rider's in max two groups. It's possible to mix 10" and 30" in one group.

Group A:

Connect all the white wires together.

Connect all the blue wires together. Connect to +V DC.

Group B:

Connect all the white wires together.

Connect all the blue wires together. Do not connect to +V DC.

2. Setting the warning light flash pattern:

Reset mode 1: Hold the white wire on + V DC for about 3-4 seconds. The light will flash twice, then disconnect from +V DC. The flash mode is now "Synchronous double flash" - ECE R65.

Reset mode 2: Hold the white wire on + V DC for about 10-11 seconds. The light will flash three times, then disconnect from +V DC. The flash mode is now "Asynchronous double flash" - ECE R65.

3. Switch flash pattern:

Hold the white wire on + V DC for about 0,5-3 seconds. The next flash pattern will flash.

The flash mode settings are automatically saved.

There is four different flash patterns:

1. Synchronous double flash (ECE R65)
2. Synchronous double flash (super strong)
3. Asynchronous double flash (ECE R65)
4. Asynchronous double flash (super strong)

WARNING!

The white wire should not be power on for a long time during use.